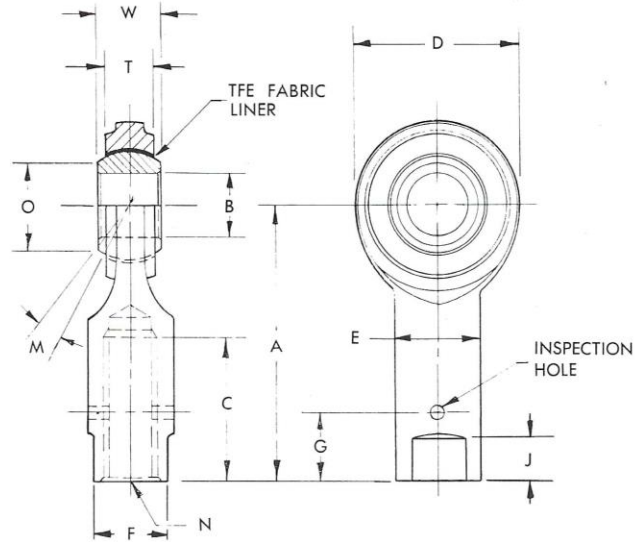


AHFT SERIES

FEMALE
2 PIECE
MOHAWK
ROD END
TFE LINED



ROD END NUMBER	DIMENSIONS													Max. Static Radial Load in Pounds Approx.	Approx. Weight in Pounds		
	Bore	Ball Width	Body Width	Ball Flat Diam.	Head Diam.	Length To Center Of Ball	Misalignment	Other Dimensions								Ball Diam.	N
	B	W	T	O	D	A	M°	C	E	F	G	J					
	+0.0015 -0.0005	+0.000 -0.005	+0.005 -0.005	Ref.	Max.	+0.010 -0.010	Max.	Min.	+0.010 -0.010	+0.010 -0.010	+0.005 -0.005	+0.010 -0.010	Class 3B				
AHFT-2 AHFTL-2	.1250	.250	.187	.238	.469	.812	13	.375	.312	.250	.250	.187	.344	6-32 UNC	770	.02	
AHFT-2B AHFTL-2B	.1562	.281	.219	.294	.562	.875	11	.375	.344	.281	.250	.187	.406	8-32 UNC	920	.02	
AHFT-3 AHFTL-3	.1900	.312	.250	.350	.625	1.062	9	.500	.406	.312	.312	.187	.469	10-32 UNF	1,340	.04	
AHFT-4 AHFTL-4	.2500	.375	.281	.420	.750	1.312	12	.625	.468	.375	.312	.187	.562	1/4"-28 UNF	1,800	.05	
AHFT-5 AHFTL-5	.3125	.437	.344	.487	.875	1.375	10	.625	.500	.437	.406	.187	.656	5/16"-24 UNF	3,600	.08	
AHFT-6 AHFTL-6	.3750	.500	.406	.514	1.000	1.625	10	.750	.687	.562	.469	.250	.718	3/8"-24 UNF	5,600	.13	
AHFT-7 AHFTL-7	.4375	.562	.437	.582	1.125	1.812	11	.875	.750	.625	.531	.250	.813	7/16"-20 UNF	6,800	.18	
AHFT-8 AHFTL-8	.5000	.625	.500	.786	1.312	2.125	11	1.000	.875	.750	.594	.250	1.000	1/2"-20 UNF	8,200	.29	
AHFT-10 AHFTL-10	.6250	.750	.562	.920	1.500	2.500	11	1.250	1.000	.875	.750	.312	1.187	5/8"-18 UNF	12,000	.43	
AHFT-12 AHFTL-12	.7500	.875	.687	1.062	1.750	2.875	10	1.375	1.125	1.000	.875	.312	1.375	3/4"-16 UNF	16,000	.65	

NOTES

"L" in rod end number designates left hand thread.

No load breakaway torque = 0.5 to 10 in./lbs. preload

MATERIALS

	BALL	BODY	LINER
Part Number as Shown	440c Stainless Steel Heat Treated	Type 303 Stainless Steel	TFE Fabric